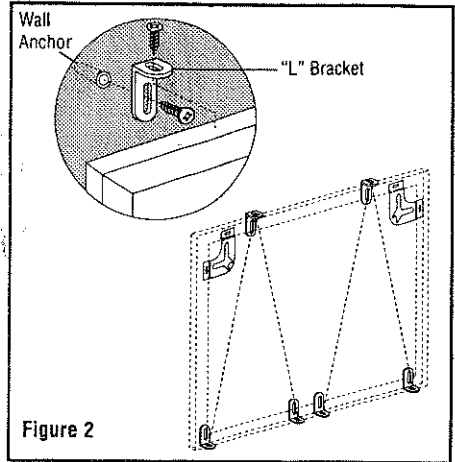
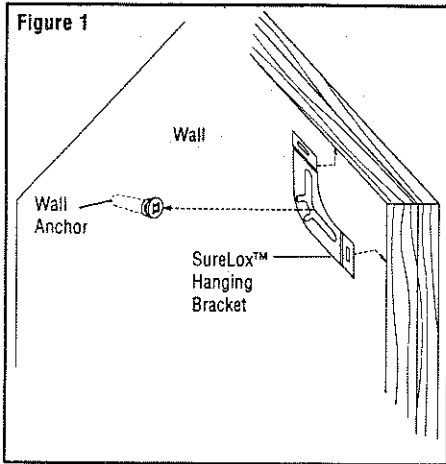


Quartet SureLox™ Board Mounting System

The Quartet's SureLox™ board hanging system is designed to mount Quartet display boards to walls. Optional mounting brackets are included with some boards to compensate for an uneven hanging surface.



Mounting Boards to Wall (Figure 1)

- 1) Measure the distance between the centers of each eyelet in the hanging brackets.
- 2) Select location for mounting Quartet board. Make 2 marks along a horizontal plane equal in distance to the measured distance between the centers of the eyelets in the hanging brackets.
- 3) Drill a hole a minimum of 1" deep using a 7/32" drill bit at each screw mark. Tap wall anchors into holes. Screw the wall anchor screws into the wall anchors. Loosen 1 to 2 turns.
- 4) Lock board into place on wall by engaging SureLox™ hanging brackets over each of the anchor screw heads. If the board is not hanging relatively flush to the wall tighten anchor screws slightly or use the optional mounting brackets.

- 7) Along bottom line measure 2" in from either end and mark wall "1 5/8" above this point.
- 8) Install a wall anchor at each of these 2 marks using the guidelines in step 3.
- 9) Screw "L" brackets to anchors in wall.
- 10) With all "L" brackets mounted to wall, engage corner brackets and place board on the "L" brackets. Mark board frame through eyelets of the 3 mounting brackets. Remove board from wall.
- 11) Using a 1/8" drill bit, drill pilot holes in the frame at each mark (1/4" max. depth).
- 12) Hang board on brackets. Screw brackets into frame through eyelets using the #8 Truss Head screws. (Refer to diagram)

Optional Mounting Bracket (Boards 5' x 4' & smaller) (Figure 2)

- 5) Along bottom of board, draw a light pencil line on wall the length of the board.
- 6) Make a light pencil mark on the wall at the top center of the board, then remove board from wall. Install a wall anchor (see step 3 above) 1 5/8" below this mark.

Optional Mounting Bracket (Boards 6' x 4' & larger) (Figure 2)

- 13) Using the guidelines for Optional Mounting Brackets (Boards 5' x 4' & smaller), form 2 triangles with the brackets starting each triangle top 1/4 of the way in along the top from the corner of the board.



Office Products Group

5700 Old Orchard Rd. Skokie, IL 60077, Tel: (847) 965-0600

P/N 500011